



Better employee information for increased transparency and quality

A key element of lean production is the visual on-site presentation of activities, goals and results.

Infoboards can be used to provide important information such as production figures and agreed goals, but also team overviews and job responsibilities within a department. Workers thus have access to information on-site and at any time.

The infoboards are fully suitable for industrial use due to their stable, robust construction.

There are three versions available:

- ▶ For pins with matted surface, can be used as a projection screen
- ▶ Perforated plate for magnets and screws
- ▶ Magnetic, both side writeable for board markers

The boards are made up of modules. The base module is called Infoboard Wall, which becomes the Infoboard Economic when the stand is added. The Infoboard Mobile has rollers so it can be pushed easily as well as a tilting surface for ergonomic writing.

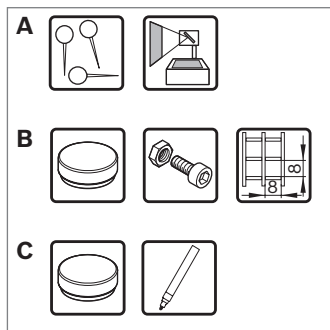
Multiple infoboards can be combined to set up CIP corners and discussion islands.



150 Infoboards
151 Accessories

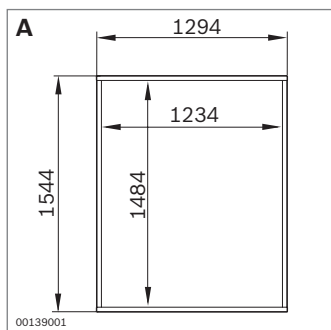


00127194

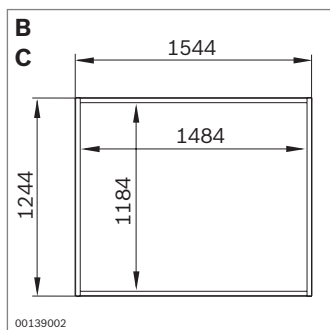


Infoboard Wall

Accessories: bracket for wall mounting, 📄 151



00139001

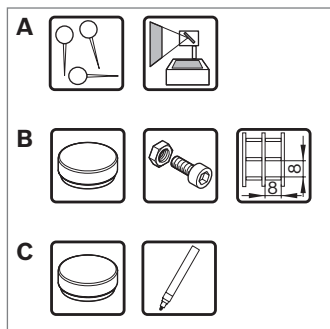


00139002

	h x b (mm)	No.
A Infoboard Wall – pin	1484 x 1234	3 842 515 775
B Infoboard Wall – magnet	1184 x 1484	3 842 516 405
C Infoboard Wall – magnet marker	1184 x 1484	3 842 515 776



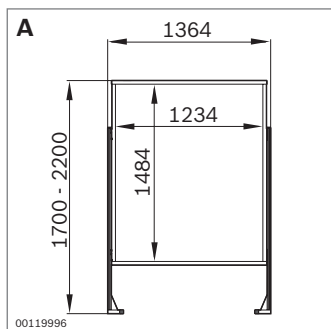
00127193



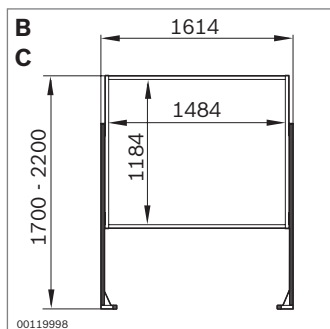
Infoboard Economic

► Can be fitted with rollers for mobile applications

Accessories: roller set, 📄 151



00119996

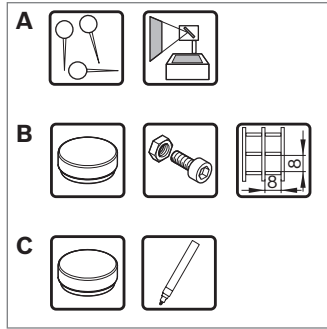


00119998

	h x b (mm)	No.
A Infoboard Economic – pin	1484 x 1234	3 842 515 771
B Infoboard Economic – magnet	1184 x 1484	3 842 516 406
C Infoboard Economic – magnet marker	1184 x 1484	3 842 515 772

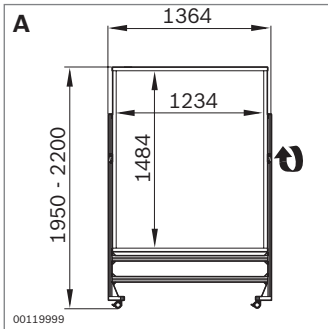


00120888

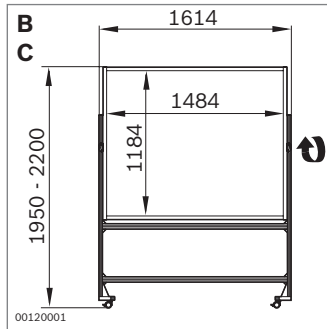


Infoboard Mobile

- ▶ Tilting work surface for good ergonomic posture
- ▶ With locking rollers



00119999

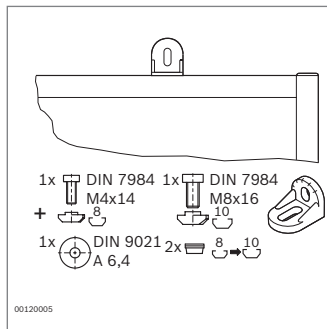


00120001

	h x b (mm)	No.
A	Infoboard Mobile – 1484 x 1234 pin	3 842 515 773
B	Infoboard Mobile – 1184 x 1484 magnet	3 842 516 407
C	Infoboard Mobile – 1184 x 1484 magnet marker	3 842 515 774



00121509



00120005

Infoboard accessories



		ESD	No.
Roller set for Infoboard Economic	Set		3 842 536 129
Bracket for Infoboard Wall			3 842 515 547