

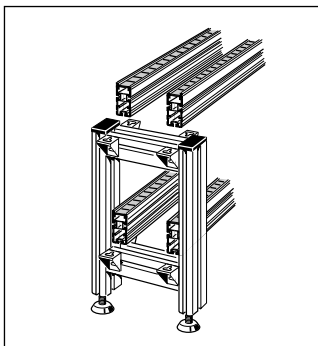
Leg Sets and Foundation Brackets

Section 8 – Leg Sets and Foundation Brackets

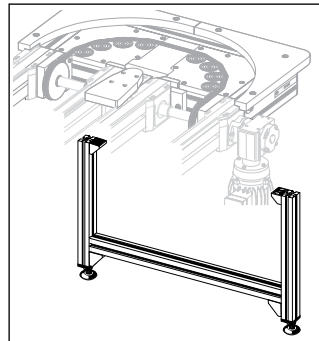
Leg sets are constructed of rugged extruded aluminum profile. The T-slotted design of the leg sets provides a convenient mounting location for control systems as well as a wide variety of other components and accessories.

Foundation brackets are available in steel or die-cast aluminum. The die-cast aluminum brackets also have a cover cap to prevent dirt accumulation and at the same time provides a clean finished appearance.

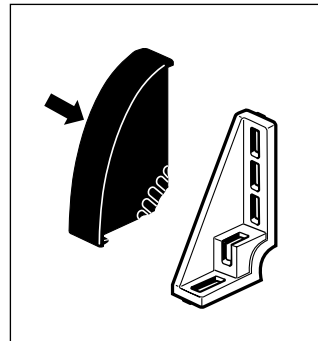
8



**SZ2/E, SZ2/E-H, SZ2/T,
SZ2/T-H, SZ2/U, SZ2/U-H**
Leg Sets
8-1 to 8-4



SZ2/K90, SZ2/K180
Curve Unit Leg Sets
8-5



Foundation Brackets
8-6

Leg Sets and Foundation Brackets

Leg Sets

Leg sets support the conveyor sections. Each leg set consists of aluminum extrusions, M16 x 44 mm leveling feet with gussets and mounting hardware. Heavy Duty leg sets use larger gussets and the SZ2/T-H and SZ2/U-H leg sets use a larger 45 x 90 cross link between the leg supports.

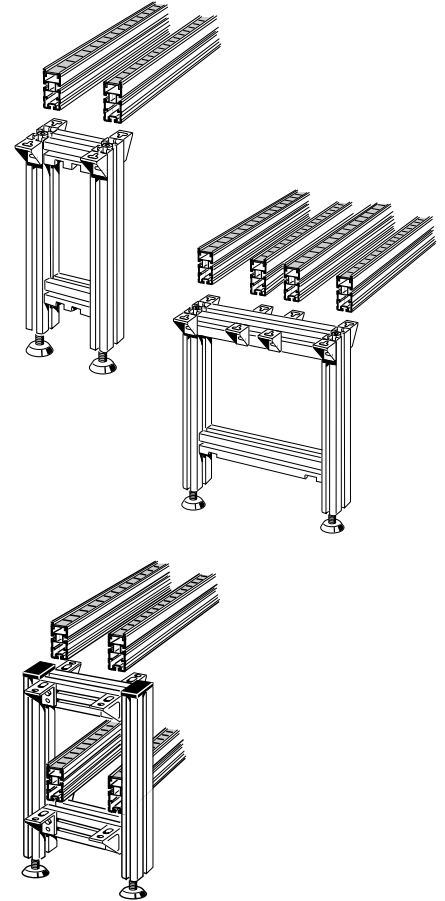
Leg sets must be used at each drive and return unit, and at maximum 2000 mm intervals along the conveyor section. They must be anchored to the floor using foundation brackets which are ordered separately on page 8-6. The leg set used is determined by the conveyor configuration.

Single leg sets are used to support points along the line between drive and

return units. The same leg sets are also used when mounting drive and return units. Please note, however, that when supporting a drive or return unit, the gussets on the side of the leg set nearest the drive or return must be discarded.

Over/under leg sets are also available for use with lines equipped with the vertical transfer units on page 12-8.

Parallel leg sets are used to configure parallel conveyor systems and are available for single level lines. When configuring parallel lines both lanes must be the same profile height. Do not mix 80 mm and 100 mm profile.

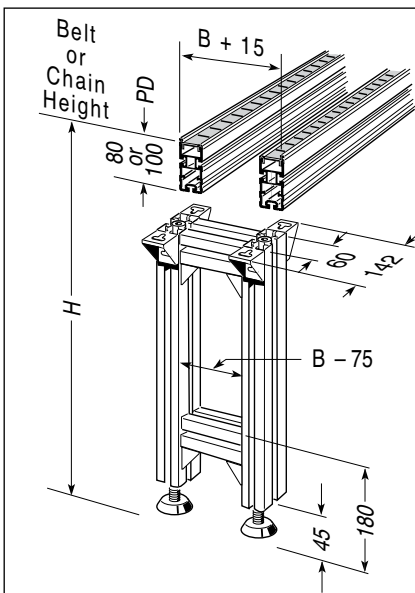


Important

Standard ergonomic line heights are 880 and 980 mm. When ordering indicate your selection in the spaces after the part number. Leveling feet have an adjustment range of 80 mm. This provides a height adjustment of 10mm down and 70mm up from the specified line height.

Leg Sets

SZ2/E Single Leg Set



Ordering Information for SZ2/E

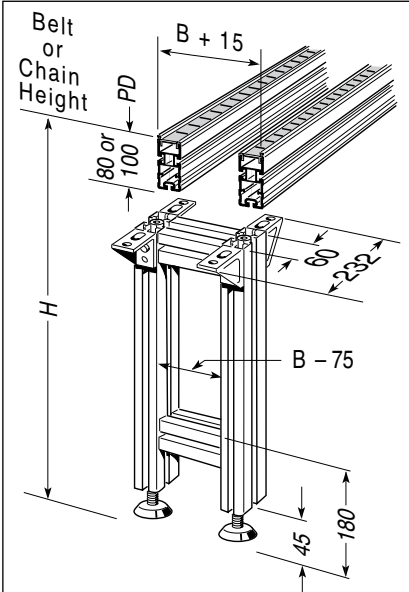
Specify part number, then select from the options below.	Your Choices are:	Part Number 3842 999 816
		Your selection:
Line width (B)	160, 240, 320, 400, 480, 640, 800, 1040	_____ mm
Profile Depth (PD)	80 or 100 mm	_____ mm
Transport line height (H)	350 - 1500 in 1 mm increments	_____ mm

Leg Sets and Foundation Brackets

Leg Sets

Model SZ2/E-H, SZ2/T

SZ2/E-H Heavy Duty Single Leg Set

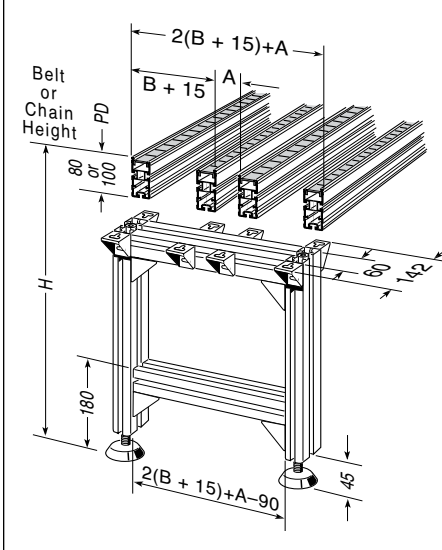


Ordering Information for Heavy Duty Single Leg Set SZ2/E-H

Specify part number, then select from the options below.	Your Choices are:	Part Number 3842 999 705
		Your selection:
Line width (B)	240, 320, 400, 480, 640, 800, 1040	_____ mm
Profile Depth (PD)	80 or 100 mm	_____ mm
Transport line height (H)	350 - 1500 in 1 mm increments	_____ mm

8

SZ2/T Parallel Leg Set



Ordering Information for Parallel Leg Set SZ2/T

Specify part number, then select from the options below.	Your Choices are:	Part Number 3842 999 818
		Your selection:
Gap (A)	45, 90 or 135 mm	_____ mm
Line width (B)	160, 240, 320, 400, 480	_____ mm
Profile Depth (PD)	80 or 100 mm	_____ mm
Transport line height (H)	350 - 1500 in 1 mm increments	_____ mm

Important

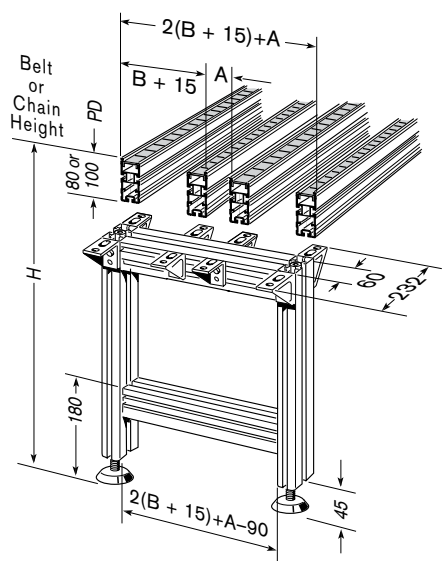
Standard ergonomic line heights are 880 and 980 mm. When ordering indicate your selection in the spaces after the part number. Leveling feet have an adjustment range of 80 mm. This provides a height adjustment of 10mm down and 70mm up from the specified line height.

Leg Sets and Foundation Brackets

Leg Sets

Model SZ2/T-H, SZ2/U

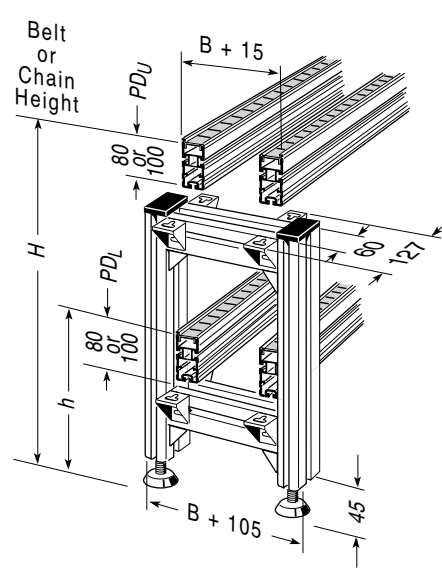
SZ2/T-H Heavy Duty Parallel Leg Set



Ordering Information for Heavy Duty Parallel Leg Set SZ2/T-H

Specify part number, then select from the options below.	Your Choices are:	Part Number 8981 999 249
		Your selection:
Gap (A)	45, 90 or 135 mm	_____ mm
Line width (B)	160, 240, 320, 400, 480	_____ mm
Profile Depth (PD)	80 or 100 mm	_____ mm
Transport line height (H)	350 - 1500 in 1 mm increments	_____ mm

SZ2/U Over/under Leg Set



Ordering Information for SZ2/U

Specify part number, then select from the options below.	Your Choices are:	Part Number 3842 999 817
		Your selection:
Line width (B)	160, 240, 320, 400, 480, 640, 800, 1040	_____ mm
Upper Profile Depth (PDU)	80 or 100 mm	_____ mm
Upper Line Height (H)	350 - 1500 in 1 mm increments	_____ mm
Lower Profile Depth (PDL)	80 or 100 mm	_____ mm
Lower Line Height (h)	250 - 1000 in 1 mm increments	_____ mm

Leg Sets and Foundation Brackets

Leg Sets

Model SZ2/U

SZ2/U-H Heavy Duty Over/under Leg Set

Ordering Information for SZ2/U-H

Specify part number, then select from the options below.	Your Choices are:	Part Number 3842 999 706
		Your selection:
Line width (B)	160, 240, 320, 400, 480, 640, 800, 1040	_____ mm
Upper Profile Depth (PDU)	80 or 100 mm	_____ mm
Upper Line Height (H)	350 - 1500 in 1 mm increments	_____ mm
Lower Profile Depth (PDL)	80 or 100 mm	_____ mm
Lower Line Height (h)	250 - 1000 in 1 mm increments	_____ mm

8

Important

Standard ergonomic line heights are 880 and 980 mm. When ordering indicate your selection in the spaces after the part number. Leveling feet have an adjustment range of 80 mm. This provides a height adjustment of 10mm down and 70mm up from the specified line height.

Leg Sets and Foundation Brackets

Curve Leg Sets

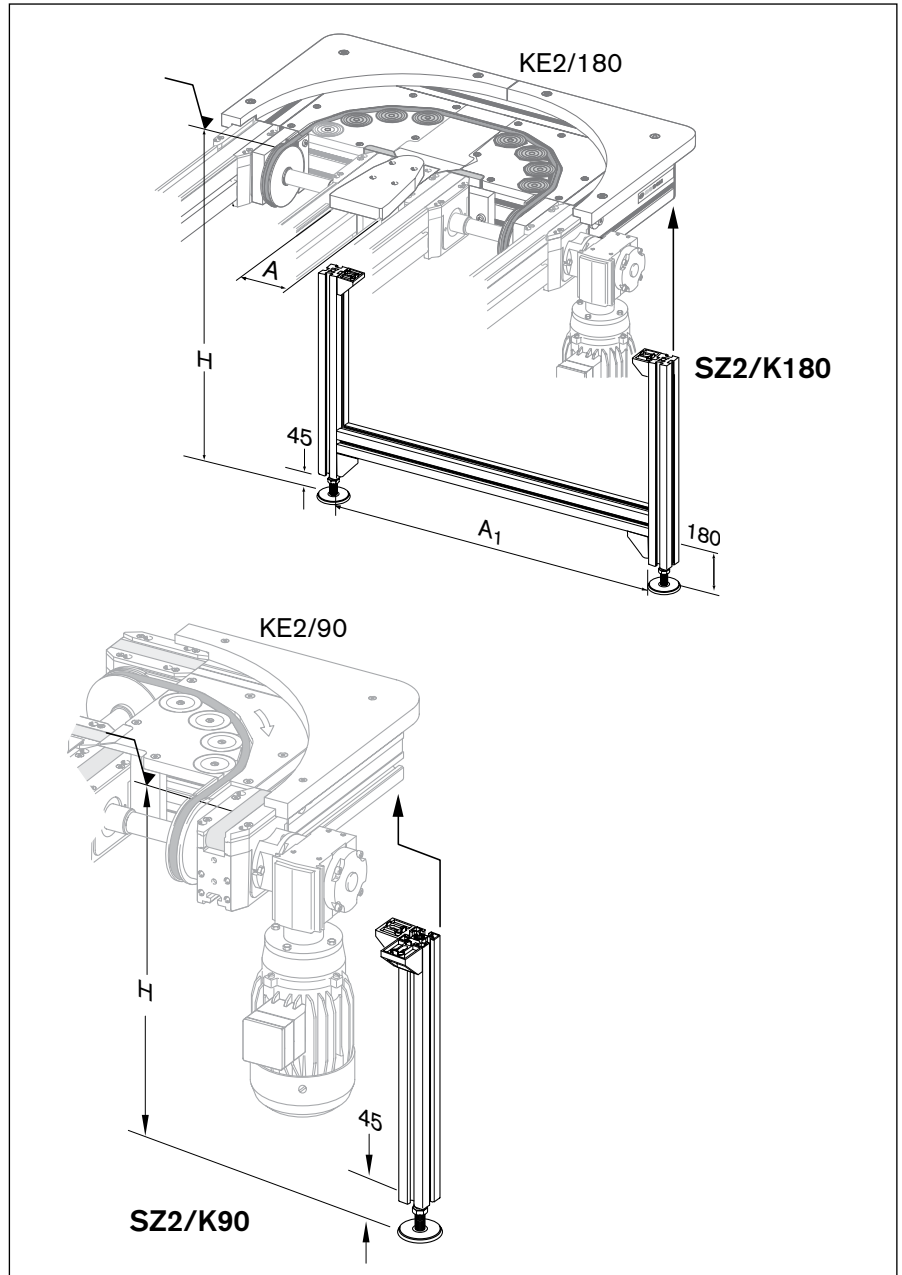
Models SZ2/K90, SZ2/K180

Curve leg sets are used to support KE2/90 and KE2/180 series curves. Each leg set consists of aluminum extrusions, leveling feet with gussets and mounting hardware.

Leg sets must be used on each curve unit to provide proper support and stability. They must be anchored to the floor using foundation brackets which are ordered separately on page 8-6. The leg set used is determined by the type of curve.

SZ2/K180 leg sets are used to support KE2/180 and KE2/180-0 curve modules.

SZ2/K90 leg sets are used to support KE2/90 and KE2/90-0 curve modules.



Order Information for SZ2/K180

Part Number 3842 999 601	
Your Options are:	Your Selection is:
Center Gap (A) 90, 135	A=_____ mm
Width (B _T) 160, 240, 320, 400	B _T =_____ mm
Leg Height (H) 350 - 1500	H=_____ mm

Order Information for SZ2/K90

Part Number 3842 994 601	
Your Options are:	Your Selection is:
Leg Height (H) 350 - 1500	H=_____ mm

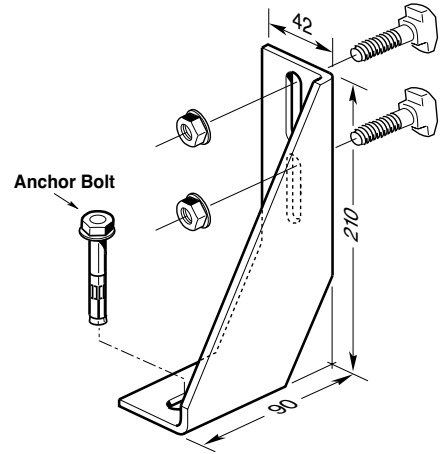
Leg Sets and Foundation Brackets

Foundation Brackets

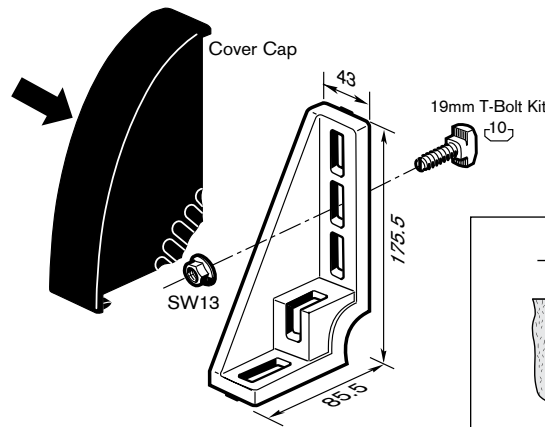
Foundation brackets secure the leg sets to the floor after the conveyor has been leveled and aligned. Two foundation brackets should be used for leg sets at drive and return units, and one at intermediate positions as shown below.

The steel foundation bracket has a zinc plated silver finish and includes the T-bolt fastening kit to attach the bracket to the leg set. Order the anchor bolts separately.

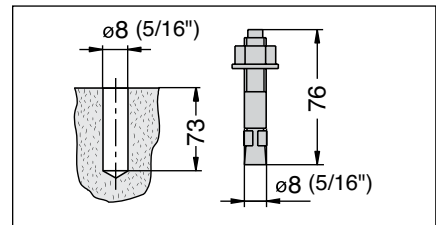
The die-cast aluminum bracket has a natural aluminum finish. The cover cap, available separately, provides a clean finished appearance and also prevents dirt accumulation in the bracket. Order the mounting hardware and anchor bolts separately.



Steel



Aluminum



8

Ordering Information for Foundation Brackets

Description	Part Number
Steel Foundation Bracket kit (includes bracket & two T-bolt fastening kits)	8981 003 224
Die-cast Aluminum Foundation Bracket Kit (includes two T-bolt fastening kits)	3842 527 535
8mm Anchor Bolt, one	3842 526 560
Round 45 x 180 Cover Cap only	3842 523 585
Round 45 x 45 Cover Cap only, for standard leg set gussets	3842 523 563
Round 45 x 90 Cover Cap only, for heavy duty leg set gussets	3842 523 572

Recommended foundation bracket placement

