

Workpiece Pallets and Components

## Section 2 – Workpiece Pallets and Components

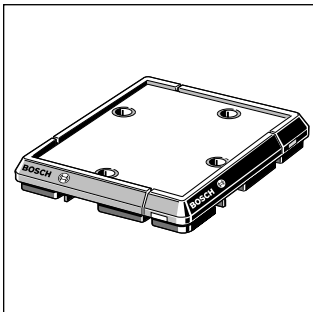
The workpiece pallet acts as a carrier for workpieces through the conveyor system. With fixturing, it serves to hold the workpiece for processing at a workstation. Positioning bushings allow the pallet to be located in a station with an accuracy of ±0.05 mm when used with a lift-position unit. Mechanical or RF identification

and data storage modules can also be mounted to the support plate.

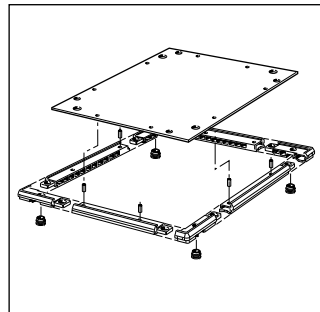
Workpiece pallets can be ordered fully assembled with steel, aluminum or heavy duty aluminum support plates. Workpiece pallet components can also be purchased unassembled for on-site assembly. Ordering unassembled pallet kits or pallet

components make it possible to perform the required machining to the support plate prior to pallet assembly.

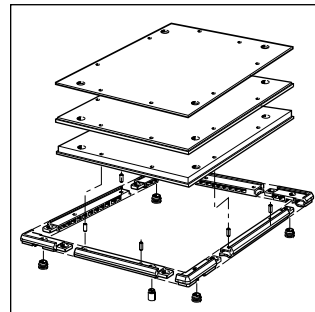
The maximum load carrying capacity of the size range of pallets when equipped with various support plates is shown below. See page 18-1 for limitations based on deflection.



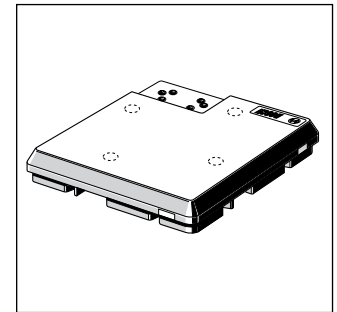
**WT2**  
Assembled Workpiece Pallets 2-2 to 2-3



**WT2**  
Unassembled Workpiece Pallet Kits 2-4 to 2-5



**WT2**  
Workpiece Pallet Components 2-6 to 2-15



**WT2/E**  
Economy Workpiece Pallets 2-16

### Workpiece Pallet Load Carrying Capacity Chart

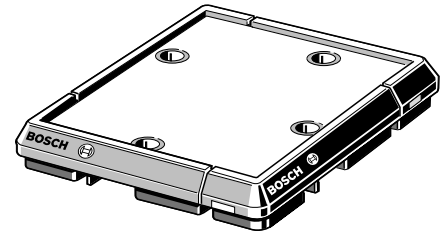
Pallet Size		Component Weight (Kg)				B <sub>WT</sub>	L <sub>WT</sub>
B <sub>WT</sub> (mm)	L <sub>WT</sub> (mm)	Frame (Kg)	4.8ST Plate (Kg)	6.35AL Plate (Kg)	12.7AL Plate (Kg)	Max Load* (Kg)	Max Load* (Kg)
160	160	0.32	0.9	0.4	0.8	16	16
160	240	0.39	1.3	0.6	1.3	16	24
160	320	0.45	1.8	0.8	1.7	16	32
160	400	0.52	2.3	1.1	2.1	16	40
160	480	0.64	2.7	1.3	2.5	16	48
240	240	0.45	2.0	0.9	1.9	24	24
240	320	0.51	2.7	1.3	2.5	24	32
240	400	0.59	3.4	1.6	3.2	24	40
240	480	0.70	4.1	1.9	3.8	24	48
320	320	0.58	3.7	1.7	3.4	32	32
320	400	0.65	4.6	2.1	4.3	32	40
320	480	0.76	5.5	2.6	5.1	32	48
320	640	0.89	7.4	3.4	6.9	32	64
400	400	0.72	5.8	2.7	5.4	40	40
400	480	0.83	6.9	3.2	6.5	40	48
400	640	0.96	9.3	4.3	8.6	40	64
400	800	1.14	11.6	5.4	10.8	40	70
480	480	0.95	8.3	3.9	7.8	48	48
480	640	1.07	11.1	5.2	10.4	48	64
480	800	1.25	13.9	6.5	13.0	48	70
640	640	1.20	14.9	6.9	13.9	64	64
640	800	1.38	18.6		17.4	64	70
640	1040	1.57			22.6	64	70
800	800	1.55	23.3		21.7	70	70
800	1040	1.75			28.3	70	70
1040	1040	1.94			36.9	70	70

\* Including, pallet, fixture, and part for aluminum plate 12.7mm

## Workpiece Pallets and Components

## Assembled Workpiece Pallet

Model WT2/S, WT2/A, WT2/A-H



location of the workpiece pallet for automated assembly operations when used with positioning modules.

Pallets larger than 400 x 480 mm also include four reinforcing bolts for added support where pallets contact the stop gates.

Fully assembled workpiece pallets are available in 26 standard sizes ranging from 160 x 160 mm to 1040 x 1040 mm.

The workpiece pallets consist of frame modules and a support plate. The frame modules are made from electrically conductive polyamide and have built in exciter plates to indicate relative positioning when used in conjunction with

proximity switches. Pallets over 400 mm use frame extensions and spring pins to connect the frames to the support plate. The support plate is available in steel (4.85 mm thick) or aluminum (6.35 or 12.7 mm thick).

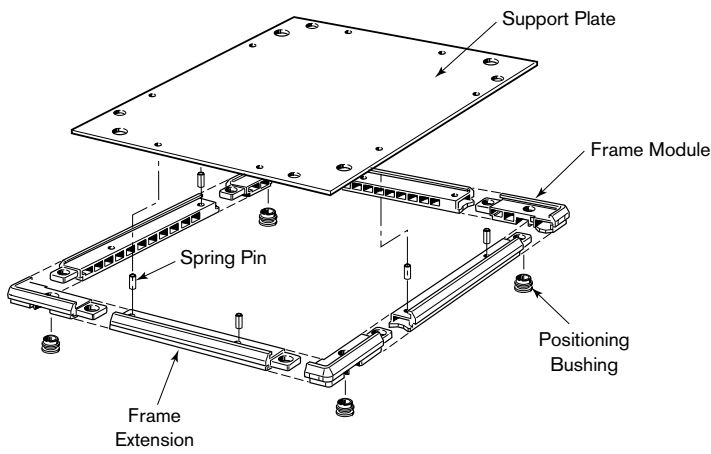
Assembled workpiece pallets also have four pressed-in hardened steel positioning bushings which provide precise

### Ordering information for Assembled Workpiece Pallets

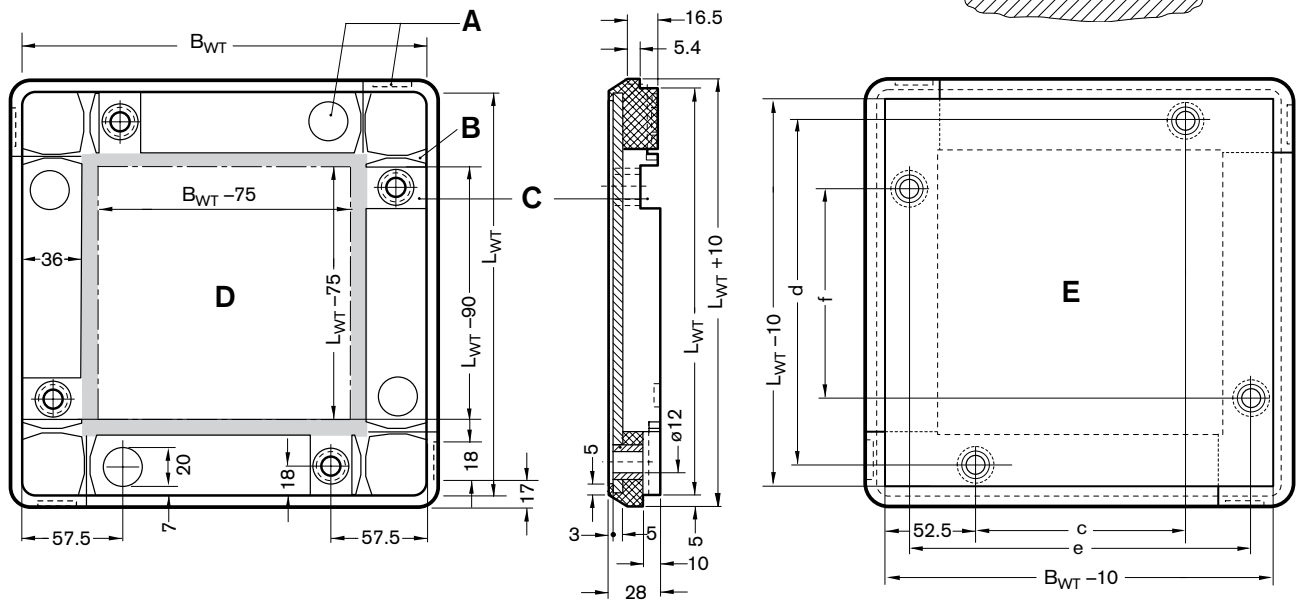
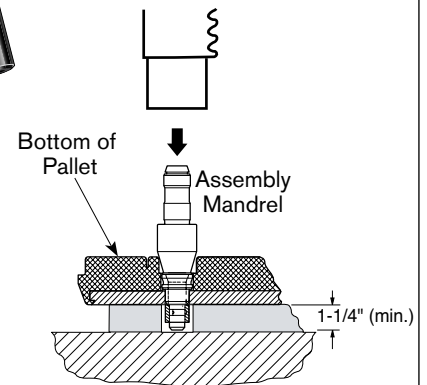
Pallet Size		Dimensions				Part Number		
B <sub>WT</sub> (mm)	L <sub>WT</sub> (mm)	c (mm)	d (mm)	e (mm)	f (mm)	WT2/S 4.85 Steel	WT2/A 6.35 Aluminum	WT2/A-H 12.7 Aluminum
160	160	45	124	124	45	0842 090 030	8981 004 987	8981 019 930
160	240	45	204	124	125	0842 090 032	8981 004 988	8981 019 931
160	320	45	284	124	205	0842 090 034	8981 004 989	8981 019 932
160	400	45	364	124	285	0842 090 036	8981 004 990	8981 019 933
160	480	45	444	124	365	0842 090 037	8981 004 991	8981 019 934
240	240	125	204	204	125	0842 090 039	8981 004 992	8981 019 935
240	320	125	284	204	205	0842 090 041	8981 004 993	8981 019 936
240	400	125	364	204	285	0842 090 043	8981 004 994	8981 019 937
240	480	125	444	204	365	0842 090 044	8981 004 995	8981 019 938
320	320	205	284	284	205	0842 090 048	8981 004 996	8981 019 940
320	400	205	364	284	285	0842 090 050	8981 004 997	8981 019 941
320	480	205	444	284	365	0842 090 051	8981 004 998	8981 019 942
320	640	205	604	284	525	3842 894 777	8981 019 987	8981 019 944
400	400	285	364	364	285	0842 090 080	8981 004 999	8981 019 945
400	480	285	444	364	365	0842 090 081	8981 005 000	8981 019 946
400	640	285	604	364	525	0842 090 083	8981 005 002	8981 019 948
400	800	285	764	364	685	0842 090 085	8981 005 004	8981 019 950
480	480	365	444	444	365	0842 090 086	8981 005 005	8981 019 951
480	640	365	604	444	525	0842 090 088	8981 005 007	8981 019 953
480	800	365	764	444	685	0842 090 090	8981 005 009	8981 019 955
640	640	525	604	604	525	3842 523 405	8981 019 990	8981 019 963
640	800	525	764	604	685	8981 019 757	n/a	8981 019 965
640	1040	525	1004	604	925	n/a	n/a	8981 019 968
800	800	685	764	764	685	8981 019 763	n/a	8981 019 974
800	1040	685	1004	764	925	n/a	n/a	8981 019 977
1040	1040	925	1004	1004	925	n/a	n/a	8981 019 983

Workpiece Pallets and Components

**Dimensional Information for WT2/S, WT2/A, WT2/A-H**



**Assembly Mandrel**  
Part No. 3842 525 846



**A** - Exciter plates      **B** - Guide groove      **C** - Stop-gate recess      **D** - Bottom clearance      **E** - Top clearance

**NOTE: Dimensions are for reference only. Contact Bosch Rexroth for a detailed machining drawing.**

MODEL	PLATE THICKNESS	DISTANCE FROM CONVEYING MEDIA TO TOP OF PALLET PLATE
WT2/S	4.85 STEEL	24.85mm
WT2/A	6.35 ALUMINUM	26.35mm
WT2/A-H	12.7 ALUMINUM	32.7mm

Workpiece Pallets and Components

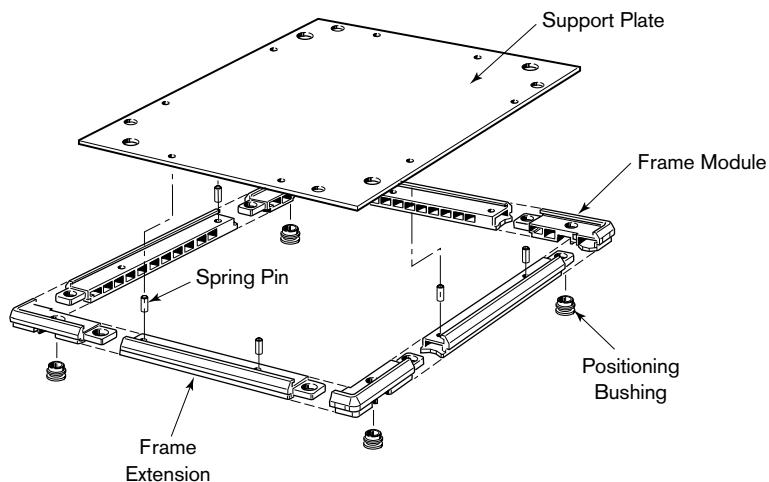
# Unassembled Workpiece Pallet Kits

Model WT2/S-UPA, WT2/A-UPA, WT2/AH-UPA,  
WT2/S-UPE, WT2/A-UPE, WT2/AH-UPE

Unassembled pallet kits are available in every standard catalog size, ranging from 160mm x160mm to 1040mm x1040mm. They are available with either polyamide (PA) frames or with UHMW PE frames, which are required for use with roller chain conveyors.

Features and benefits of the unassembled kits include:

- Eliminates the need to disassemble an assembled pallet to machine the pallet plate.
- Positioning bushings can be pressed in after the support plate has been machined.
- One part number orders a complete unassembled pallet kit, eliminates the need to order individual components.



- Packaged on a per order basis rather than per piece basis, which allows for simpler assembly of multiple pallets.
- Order Unassembled Pallet Kits using the following part numbers.

## Ordering information for Unassembled Workpiece Pallet Kits

Pallet Size		Pallet Plate	Part Number	
Bwt (mm)	Lwt (mm)		Unassembled Kit - with polyamide wear strips	Unassembled Kit - with UHMW PE wear strips
160	160	4.85 Steel	8981 022 200	8981 022 270
160	160	6.35 Aluminum	8981 022 201	8981 022 271
160	160	12.7 Aluminum	8981 022 202	8981 022 272
160	240	4.85 Steel	8981 022 203	8981 022 273
160	240	6.35 Aluminum	8981 022 204	8981 022 274
160	240	12.7 Aluminum	8981 022 205	8981 022 275
160	320	4.85 Steel	8981 022 206	8981 022 276
160	320	6.35 Aluminum	8981 022 207	8981 022 277
160	320	12.7 Aluminum	8981 022 208	8981 022 278
160	400	4.85 Steel	8981 022 209	8981 022 279
160	400	6.35 Aluminum	8981 022 210	8981 022 280
160	400	12.7 Aluminum	8981 022 211	8981 022 281
160	480	4.85 Steel	8981 022 212	8981 022 282
160	480	6.35 Aluminum	8981 022 213	8981 022 283
160	480	12.7 Aluminum	8981 022 214	8981 022 284
240	240	4.85 Steel	8981 022 215	8981 022 285
240	240	6.35 Aluminum	8981 022 216	8981 022 286
240	240	12.7 Aluminum	8981 022 217	8981 022 287
240	320	4.85 Steel	8981 022 218	8981 022 288
240	320	6.35 Aluminum	8981 022 219	8981 022 289
240	320	12.7 Aluminum	8981 022 220	8981 022 290

Pallet Size		Pallet Plate	Part Number	
Bwt (mm)	Lwt (mm)		Unassembled Kit - with polyamide wear strips	Unassembled Kit - with UHMW PE wear strips
240	400	4.85 Steel	8981 022 221	8981 022 291
240	400	6.35 Aluminum	8981 022 222	8981 022 292
240	400	12.7 Aluminum	8981 022 223	8981 022 293
240	480	4.85 Steel	8981 022 224	8981 022 294
240	480	6.35 Aluminum	8981 022 225	8981 022 295
240	480	12.7 Aluminum	8981 022 226	8981 022 296
320	320	4.85 Steel	8981 022 227	8981 022 297
320	320	6.35 Aluminum	8981 022 228	8981 022 298
320	320	12.7 Aluminum	8981 022 229	8981 022 299
320	400	4.85 Steel	8981 022 230	8981 022 300
320	400	6.35 Aluminum	8981 022 231	8981 022 301
320	400	12.7 Aluminum	8981 022 232	8981 022 302
320	480	4.85 Steel	8981 022 233	8981 022 303
320	480	6.35 Aluminum	8981 022 234	8981 022 304
320	480	12.7 Aluminum	8981 022 235	8981 022 305
320	640	4.85 Steel	8981 022 236	8981 022 306
320	640	6.35 Aluminum	8981 022 237	8981 022 307
320	640	12.7 Aluminum	8981 022 238	8981 022 308
400	400	4.85 Steel	8981 022 239	8981 022 309
400	400	6.35 Aluminum	8981 022 240	8981 022 310
400	400	12.7 Aluminum	8981 022 241	8981 022 311
400	480	4.85 Steel	8981 022 242	8981 022 312
400	480	6.35 Aluminum	8981 022 243	8981 022 313
400	480	12.7 Aluminum	8981 022 244	8981 022 314
400	640	4.85 Steel	8981 022 245	8981 022 315
400	640	6.35 Aluminum	8981 022 246	8981 022 316
400	640	12.7 Aluminum	8981 022 247	8981 022 317
400	800	4.85 Steel	8981 022 248	8981 022 318
400	800	6.35 Aluminum	8981 022 249	8981 022 319
400	800	12.7 Aluminum	8981 022 250	8981 022 320
480	480	4.85 Steel	8981 022 251	8981 022 321
480	480	6.35 Aluminum	8981 022 252	8981 022 322
480	480	12.7 Aluminum	8981 022 253	8981 022 323
480	640	4.85 Steel	8981 022 254	8981 022 324
480	640	6.35 Aluminum	8981 022 255	8981 022 325
480	640	12.7 Aluminum	8981 022 256	8981 022 326
480	800	4.85 Steel	8981 022 257	8981 022 327
480	800	6.35 Aluminum	8981 022 258	8981 022 328
480	800	12.7 Aluminum	8981 022 259	8981 022 329
640	640	4.85 Steel	8981 022 260	8981 022 330
640	640	6.35 Aluminum	8981 022 261	8981 022 331
640	640	12.7 Aluminum	8981 022 262	8981 022 332
640	800	4.85 Steel	8981 022 263	8981 022 333
640	800	12.7 Aluminum	8981 022 264	8981 022 334
640	1040	12.7 Aluminum	8981 022 265	8981 022 335
800	800	4.85 Steel	8981 022 266	8981 022 336
800	800	12.7 Aluminum	8981 022 267	8981 022 337
800	1040	12.7 Aluminum	8981 022 268	8981 022 338
1040	1040	12.7 Aluminum	8981 022 269	8981 022 339

Workpiece Pallets and Components

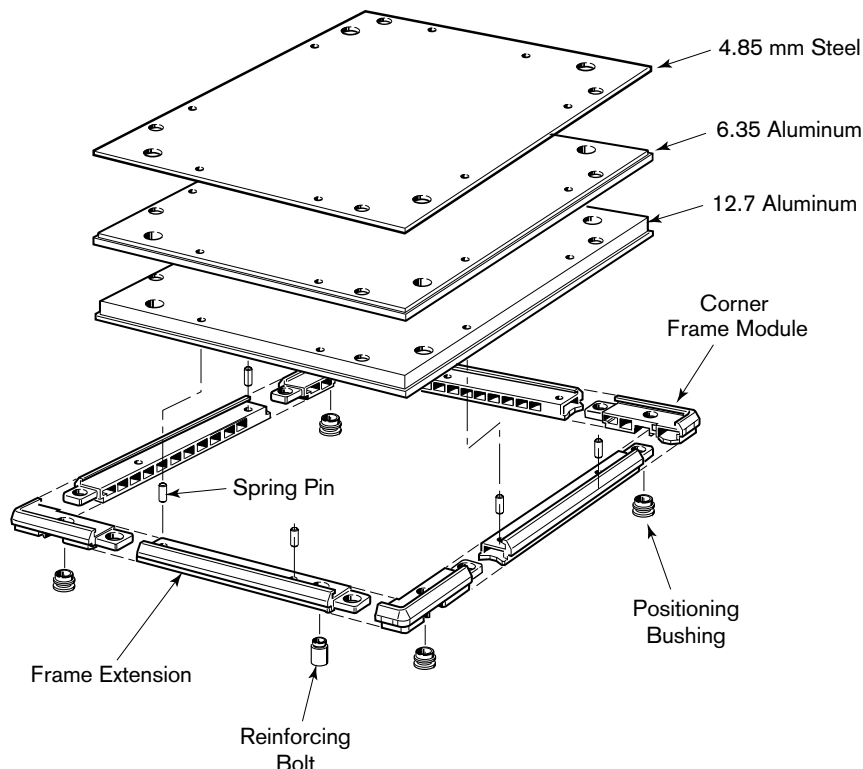
# Polyamide Workpiece Pallet Components

## Model WT2

2

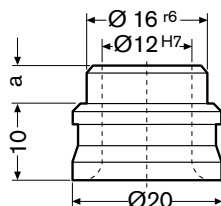
Electrically conductive polyamide frame modules are used for belt and flat-top chain applications. Roller chain conveyors require the use of frame modules with UHMW wear strips on page 2-6. Frame modules come in four different side lengths: 160, 240, 320, and 400 mm. When used in combination with the frame extension modules, 26 standard sizes of workpiece pallets can be configured. Pallets 400 x 480 mm and larger, use the extension modules in conjunction with reinforcing bolts and spring pins as shown in the exploded pallet view.

Purchasing workpiece pallet components separately make it possible to perform any required machining to the pallet plate prior to pallet assembly.



### Ordering Information Positioning Bushing

The frame modules and pallet plates are fixed in place with positioning bushings. These hardened steel bushings have a positioning accuracy of  $\pm 0.05$  mm when used with a lift-position unit. Four bushings are required for each pallet

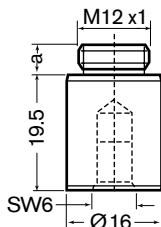


a (mm)*	Part Number
4.85	3842 174 341
6.35	3842 527 192
12.7	3842 524 615

\* must correspond to WT plate thickness

### Ordering Information Reinforcing Bolt

Workpiece pallets 400 x 480 mm and larger require the use of frame extension modules in conjunction with the reinforcing bolts. Four reinforcing bolts are required for each pallet assembly. They must be secured with a thread locking compound (Loctite 242 or equivalent) and tightened to specific torque values.



Torque Values	a (mm)*	Part Number
17 Nm	4.85	3842 525 803
22 Nm	6.35	3842 527 193
22 Nm	12.7	3842 525 805

\* must correspond to WT plate thickness

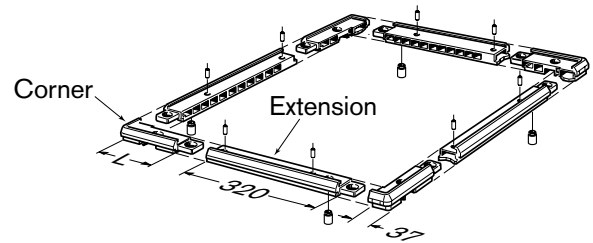
### Ordering Information Spring Pin

The frame extension modules, when used, are attached to the support plate by steel spring pins. Three different pins are used based on the thickness of the pallet plate. See ordering information chart on page 2-5 for quantities required on specific pallet sizes



Plate Thickness	Part Number
4.85 steel	2917 761 175
6.35 aluminum	2917 761 176
12.7 aluminum	2917 761 180

Workpiece Pallets and Components



Ordering Information Polyamide Frame Modules

B <sub>WT</sub> (mm)	L <sub>WT</sub> (mm)	Qty	Corner Part Number	L+37 (mm)	Qty	Extension Part Number	Spring Pin Qty*	Reinforcing Bolt Qty*
160	160	4	<b>3842 174 301</b>	160				
160	240	2	<b>3842 174 301</b>	160				
		2	<b>3842 174 302</b>	240				
160	320	2	<b>3842 174 301</b>	160				
		2	<b>3842 174 303</b>	320				
160	400	2	<b>3842 174 301</b>	160				
		2	<b>3842 174 304</b>	400				
160	480	4	<b>3842 174 301</b>	160	2	<b>3842 513 458</b>	4	
240	240	4	<b>3842 174 302</b>	240				
240	320	2	<b>3842 174 302</b>	240				
		2	<b>3842 174 303</b>	320				
240	400	2	<b>3842 174 302</b>	240				
		2	<b>3842 174 304</b>	400				
240	480	2	<b>3842 174 302</b>	240	2	<b>3842 513 458</b>	4	
		2	<b>3842 174 301</b>	160				
320	320	4	<b>3842 174 303</b>	320				
320	400	2	<b>3842 174 303</b>	320				
		2	<b>3842 174 304</b>	400				
320	480	2	<b>3842 174 303</b>	320	2	<b>3842 513 458</b>	4	
		2	<b>3842 174 301</b>	160				
320	640	4	<b>3842 174 303</b>	320	2	<b>3842 513 458</b>	4	
400	400	4	<b>3842 174 304</b>	400				
400	480	2	<b>3842 525 998</b>	400	2	<b>3842 525 999</b>	4	4
		2	<b>3842 174 301</b>	160				
400	640	2	<b>3842 525 998</b>	400	2	<b>3842 525 999</b>	4	4
		2	<b>3842 174 303</b>	320				
400	800	2	<b>3842 525 998</b>	400	4	<b>3842 525 999</b>	8	4
		2	<b>3842 174 301</b>	160				
480	480	4	<b>3842 174 301</b>	160	4	<b>3842 525 999</b>	8	4
480	640	2	<b>3842 174 301</b>	160	4	<b>3842 525 999</b>	8	4
		2	<b>3842 174 303</b>	320				
480	800	4	<b>3842 174 301</b>	160	6	<b>3842 525 999</b>	12	4
640	640	4	<b>3842 174 303</b>	320	4	<b>3842 525 999</b>	8	4
640	800	2	<b>3842 174 303</b>	320	4	<b>3842 525 999</b>	8	4
		2	<b>3842 174 301</b>	160				
640	1040	2	<b>3842 174 303</b>	320	6	<b>3842 525 999</b>	12	4
		2	<b>3842 525 998</b>	400				
800	800	4	<b>3842 174 301</b>	160	8	<b>3842525 999</b>	16	4
800	1040	2	<b>3842 174 301</b>	160	8	<b>3842 525 999</b>	16	4
		2	<b>3842 525 998</b>	400				
1040	1040	4	<b>3842 525 998</b>	400	8	<b>3842 525 999</b>	16	4

\* See page 2-6 for spring pin and reinforcing bolt part numbers.

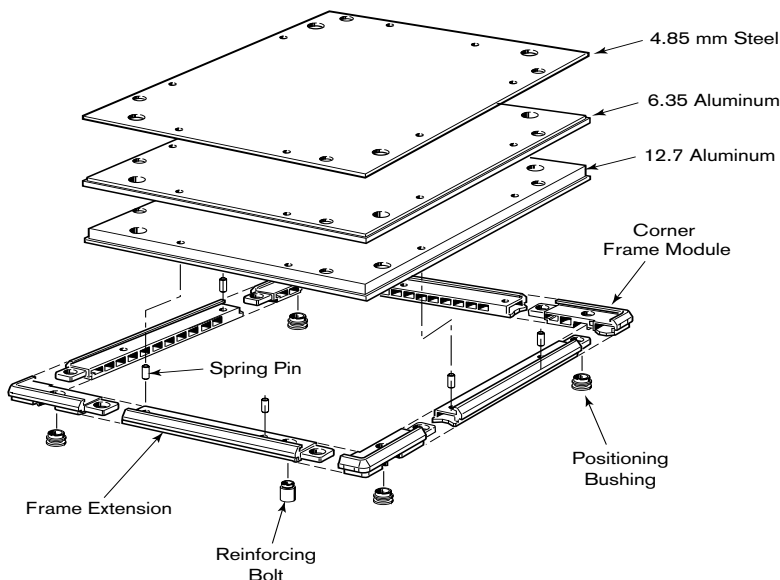
Workpiece Pallets and Components

# UHMW PE Workpiece Pallet Components

## Model WT2

2

Frame modules with UHMW PE wear strips have a very low coefficient of friction and have excellent wear characteristics. They can be used with all belt and flat-top chain conveyors, and are required with roller chain conveyors. UHMW PE Frame modules come in four different lengths: 160, 240, 320, and 400 mm. When used in combination with the UHMW PE frame extension modules, 26 standard sizes of workpiece pallets can be configured. Pallets 400 x 480 mm and larger, use the extension modules in conjunction with reinforcing bolts and spring pins as shown in the exploded pallet view.

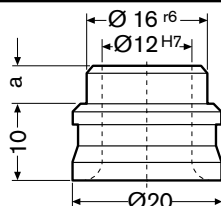


Purchasing workpiece pallet components separately make it possible to perform any required machining to the pallet plate prior to pallet assembly.

**NOTE:** Due to its length, the 160 mm UHMW-PE corner (Part Number 3842 526 760) does not have a bottom exciter plate. For all sizes when  $B_{WT} = 160$  mm as shown on page 2-9, pallet sensing from the side exciter plate is required.

### Ordering Information Positioning Bushing

The frame modules and pallet plates are fixed in place with positioning bushings. These hardened steel bushings have a positioning accuracy of  $\pm 0.05$  mm when used with a lift-position unit. Four bushings are required for each pallet

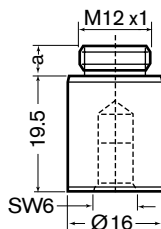


a (mm)*	Part Number
4.85	3842 174 341
6.35	3842 527 192
12.7	3842 524 615

\* must correspond to WT plate thickness

### Ordering Information Reinforcing Bolt

Workpiece pallets 400 x 480 mm and larger require the use of frame extension modules in conjunction with the reinforcing bolts. Four reinforcing bolts are required for each pallet assembly. They must be secured with a thread locking compound (Loctite 242 or equivalent) and tightened to specific torque values.



Torque Values	a (mm)*	Part Number
17 Nm	4.85	3842 525 803
22 Nm	6.35	3842 527 193
22 Nm	12.7	3842 525 805

\* must correspond to WT plate thickness

### Ordering Information Spring Pin

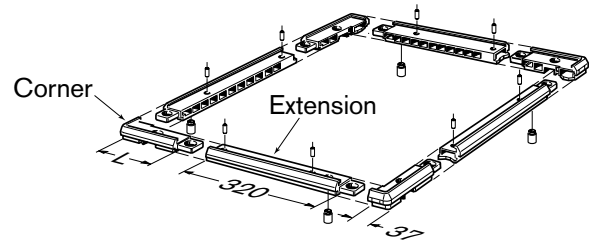
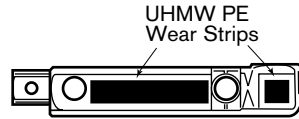
The frame extension modules, when used, are attached to the support plate by steel spring pins. Three different pins are used based on the thickness of the pallet plate. See ordering information chart on page 2-5 for quantities required on specific pallet sizes.



Plate Thickness	Part Number
4.85 steel	2917 761 175
6.35 aluminum	2917 761 176
12.7 aluminum	2917 761 180



Workpiece Pallets and Components



Ordering Information UHMW PE Frame Modules

B <sub>WT</sub> (mm)	L <sub>WT</sub> (mm)	Qty	Corner Part Number	L+37 (mm)	Qty	Extension Part Number	Spring Pin Qty*	Reinforcing Bolt Qty*
160 <sup>†</sup>	160	4	<b>3842 526 760</b>	160				
160 <sup>†</sup>	240	2	<b>3842 526 760</b>	160				
		2	<b>3842 526 761</b>	240				
160 <sup>†</sup>	320	2	<b>3842 526 760</b>	160				
		2	<b>3842 526 762</b>	320				
160 <sup>†</sup>	400	2	<b>3842 526 760</b>	160				
		2	<b>3842 526 763</b>	400				
160 <sup>†</sup>	480	4	<b>3842 526 760</b>	160	2	<b>3842 526 764</b>	2	
240	240	4	<b>3842 526 761</b>	240				
240	320	2	<b>3842 526 761</b>	240				
		2	<b>3842 526 762</b>	320				
240	400	2	<b>3842 526 761</b>	240				
		2	<b>3842 526 763</b>	400				
240	480	2	<b>3842 526 761</b>	240	2	<b>3842 526 764</b>	2	
		2	<b>3842 526 760</b>	160				
320	320	4	<b>3842 526 762</b>	320				
320	400	2	<b>3842 526 762</b>	320				
		2	<b>3842 526 763</b>	400				
320	480	2	<b>3842 526 762</b>	320	2	<b>3842 526 764</b>	2	
		2	<b>3842 526 760</b>	160				
320	640	4	<b>3842 526 762</b>	320	2	<b>3842 526 764</b>	2	
400	400	4	<b>3842 526 763</b>	400				
400	480	2	<b>3842 528 292</b>	400	2	<b>3842 528 293</b>	2	4
		2	<b>3842 526 760</b>	160				
400	640	2	<b>3842 528 292</b>	400	2	<b>3842 528 293</b>	2	4
		2	<b>3842 526 762</b>	320				
400	800	2	<b>3842 528 292</b>	400	2	<b>3842 528 293</b>	8	4
		2	<b>3842 526 760</b>	160	2	<b>3842 526 764</b>		
480	480	4	<b>3842 526 760</b>	160	4	<b>3842 528 293</b>	4	4
480	640	2	<b>3842 526 760</b>	160	4	<b>3842 528 293</b>	4	4
		2	<b>3842 526 762</b>	320				
480	800	4	<b>3842 526 760</b>	160	6	<b>3842 528 293</b>	6	4
640	640	4	<b>3842 526 762</b>	320	4	<b>3842 528 293</b>	4	4
640	800	2	<b>3842 526 762</b>	320	2	<b>3842 528 293</b>	4	4
		2	<b>3842 526 760</b>	160	2	<b>3842 526 764</b>		
640	1040	2	<b>3842 526 762</b>	320	4	<b>3842 528 293</b>	6	4
		2	<b>3842 528 292</b>	400	2	<b>3842 526 764</b>		
800	800	4	<b>3842 526 760</b>	160	4	<b>3842 528 293</b>	8	4
					4	<b>3842 526 764</b>		
800	1040	2	<b>3842 526 760</b>	160	4	<b>3842 528 293</b>	8	4
		2	<b>3842 528 292</b>	400	4	<b>3842 526 764</b>		
1040	1040	4	<b>3842 528 292</b>	400	4	<b>3842 528 293</b>	8	4
					4	<b>3842 526 764</b>		

\* See page 2-8 for spring pin and reinforcing bolt part numbers.

† See NOTE on page 2-8 for exciter plate information.

Workpiece Pallets and Components

# Steel Pallet Plates (4.85 mm)

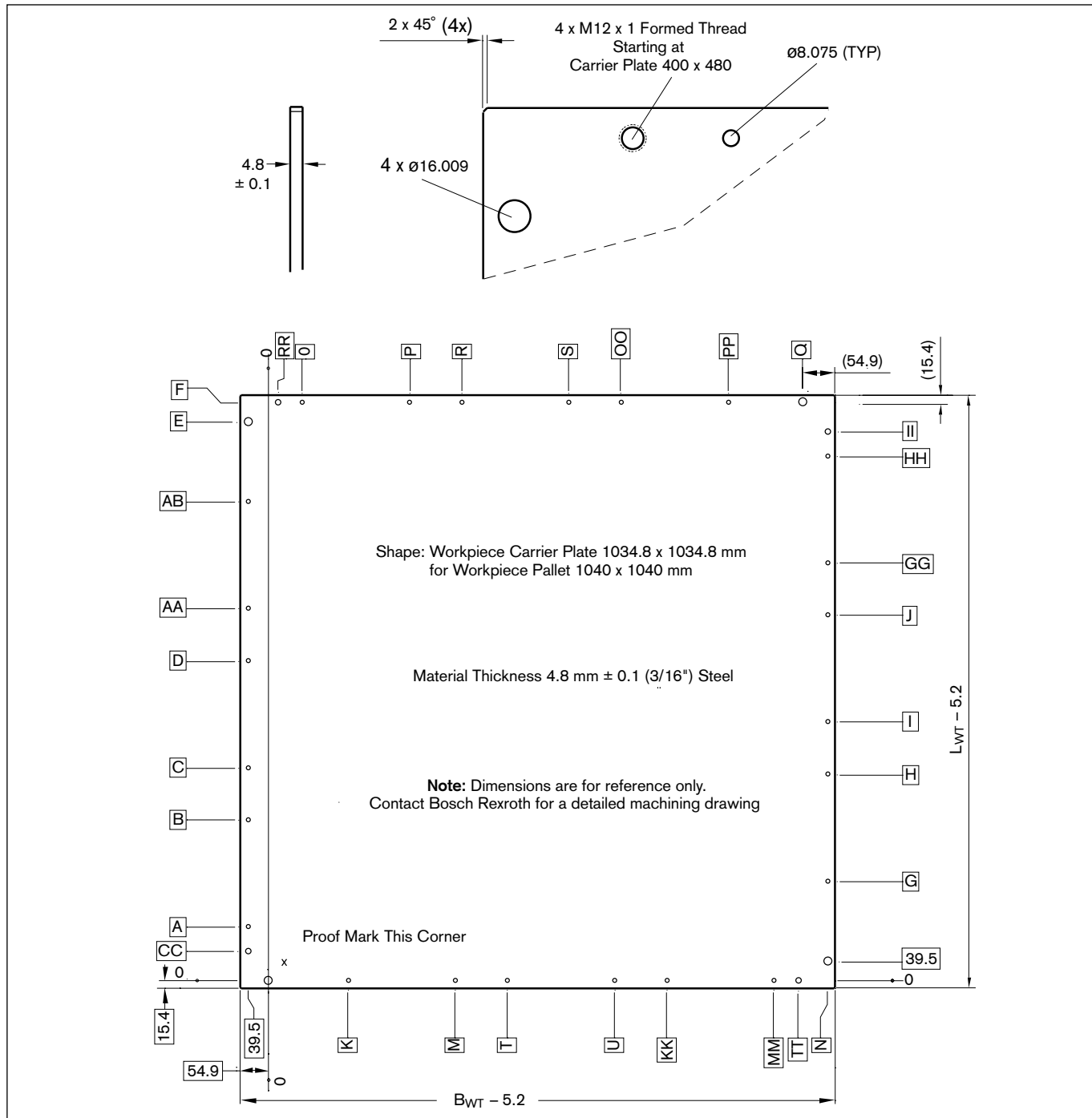
Model WT2/S

2

Steel pallet plates are 4.8 mm thick and have a black oxide finish to help prevent rust. See page 2-1 for workpiece pallet weight and payload carrying capacity.

**NOTE:** Use caution when machining steel pallet plates that have a black oxide finish and avoid inhaling grinding and machining dust.

### Dimensional data for WT2/S (4.85 mm)



Workpiece Pallets and Components

**Ordering Information for Steel Pallet Plates WT2/S (4.85 mm)**

2

B <sub>WT</sub>	L <sub>WT</sub>	Part Number	Flatness	CC	A	B	C	D	E	F	G	H	I
160	160	8981 022 445	0.3						84.5	124			
160	240	8981 022 446	0.3						164.5	204			
160	320	8981 022 447	0.3						244.5	284			
160	400	8981 022 448	0.3						324.5	364			
160	480	8981 022 449	0.3		108.5	323.5			404.5	444	120.5	335.5	
240	240	8981 022 450	0.3						164.5	204			
240	320	8981 022 451	0.5						244.5	284			
240	400	8981 022 452	0.5						324.5	364			
240	480	8981 022 453	0.5		108.5	323.5			404.5	444	120.5	335.5	
320	320	8981 022 454	0.5						244.5	284			
320	400	8981 022 455	0.6						324.5	364			
320	480	8981 022 456	0.6		108.5	323.5			404.5	444	120.5	335.5	
320	640	8981 022 458	0.8		108.5	323.5			484.5	524	280.5	495.5	
400	400	8981 022 461	0.6						324.5	364			
400	480	8981 022 462	0.6	59.5	108.5	323.5			404.5	444	120.5	335.5	
400	640	8981 022 464	0.8	59.5	108.5	323.5			564.5	604	280.5	495.5	
400	800	8981 022 466	1	59.5	108.5	323.5	428.5	643.5	724.5	764	120.5	335.5	440.5
480	480	8981 022 467	0.8	59.5	108.5	323.5			404.5	444	120.5	335.5	
480	640	8981 022 469	1	59.5	108.5	323.5			564.5	604	280.5	495.5	
480	800	8981 022 471	1	59.5	108.5	323.5	428.5	643.5	724.5	764	120.5	335.5	440.5
640	640	8981 022 476	1	59.5	108.5	323.5			564.5	604	280.5	495.5	
640	800	8981 022 478	1	59.5	108.5	323.5	428.5	643.5	724.5	764	120.5	335.5	440.5
800	800	8981 022 481	1	59.5	108.5	323.5	428.5	643.5	724.5	764	120.5	335.5	440.5

B <sub>WT</sub>	L <sub>WT</sub>	J	II	K	M	T	U	TT	N	RR	O	P	R	S	Q
160	160								84.5						45
160	240								84.5						45
160	320								84.5						45
160	400								84.5						45
160	480								84.5						45
240	240								164.5						125
240	320								164.5						125
240	400								164.5						125
240	480								164.5						125
320	320								244.5						205
320	400								244.5						205
320	480								244.5						205
320	640								244.5						205
400	400								324.5						285
400	480		384.5					265	324.5	20					285
400	640		544.5					265	324.5	20					285
400	800	655.5	704.5					265	324.5	20					285
480	480		384.5	81	296			345	404.5	20	69	284			365
480	640		544.5	81	296			345	404.5	20	69	284			365
480	800	655.5	704.5	81	296			345	404.5	20	69	284			365
640	640		544.5	241	456			505	564.5	20	69	284			525
640	800	655.5	704.5	241	456			505	564.5	20	69	284			525
800	800	655.5	704.5	81	296	401	616	665	724.5	20	69	284	389	604	685

Workpiece Pallets and Components

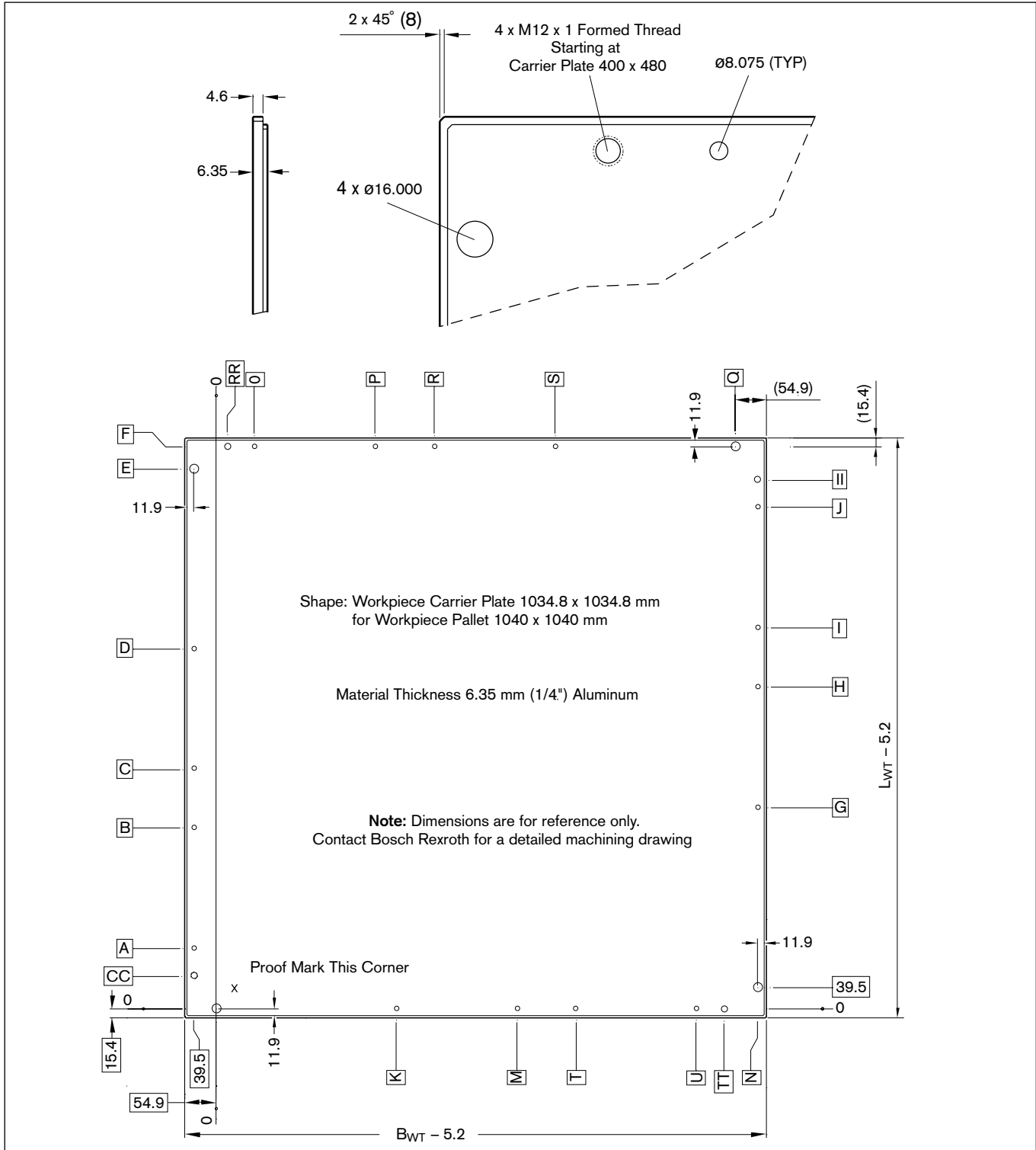
# Aluminum Pallet Plates (6.35 mm)

Model WT2/A

Aluminum pallet plates are 6.35 mm thick and are not anodized. See chart on page 2-1 for workpiece pallet weight and payload carrying capacity.

2

## Dimensional data for WT2/A (6.35 mm)



Workpiece Pallets and Components

**Ordering Information for Aluminum Pallet Plates WT2/A (6.35 mm)**

B <sub>WT</sub>	L <sub>WT</sub>	Part Number	Flatness	CC	A	B	C	D	E	F	G	H	I
160	160	8981 004 964	0.3						84.5	124			
160	240	8981 004 965	0.3						164.5	204			
160	320	8981 004 966	0.3						244.5	284			
160	400	8981 004 967	0.3						324.5	364			
160	480	8981 004 968	0.3		108.5	323.5			404.5	444	120.5	335.5	
240	240	8981 004 969	0.3						164.5	204			
240	320	8981 004 970	0.5						244.5	284			
240	400	8981 004 971	0.5						324.5	364			
240	480	8981 004 972	0.5		108.5	323.5			404.5	444	120.5	335.5	
320	320	8981 004 973	0.5						244.5	284			
320	400	8981 004 974	0.6						324.5	364			
320	480	8981 004 975	0.6		108.5	323.5			404.5	444	120.5	335.5	
320	640	8981 019 792	0.8		108.5	323.5			564.5	604	280.5	495.5	
400	400	8981 004 976	0.6						324.5	364			
400	480	8981 004 977	0.6	59.5	108.5	323.5			404.5	444	120.5	335.5	
400	640	8981 004 979	0.8	59.5	108.5	323.5			564.5	604	280.5	495.5	
400	800	8981 004 981	1	59.5	108.5	323.5	428.5	643.5	724.5	764	120.5	335.5	440.5
480	480	8981 004 982	0.8	59.5	108.5	323.5			404.5	444	120.5	335.5	
480	640	8981 004 984	1	59.5	108.5	323.5			564.5	604	280.5	495.5	
480	800	8981 004 986	1	59.5	108.5	323.5	428.5	643.5	724.5	764	120.5	335.5	440.5
640	640	8981 019 799	1	59.5	108.5	323.5			564.5	604	280.5	495.5	

2

B <sub>WT</sub>	L <sub>WT</sub>	J	II	K	M	TT	N	RR	O	P	Q
160	160						84.5				45
160	240						84.5				45
160	320						84.5				45
160	400						84.5				45
160	480						84.5				45
240	240						164.5				125
240	320						164.5				125
240	400						164.5				125
240	480						164.5				125
320	320						244.5				205
320	400						244.5				205
320	480						244.5				205
320	640						244.5				205
400	400						324.5				285
400	480		384.5			265	324.5	20			285
400	640		544.5			265	324.5	20			285
400	800	655.5	704.5			265	324.5	20			285
480	480		384.5	81	296	345	404.5	20	69	284	365
480	640		544.5	81	296	345	404.5	20	69	284	365
480	800	655.5	704.5	81	296	345	404.5	20	69	284	365
640	640		544.5	241	456	505	564.5	20	69	284	525

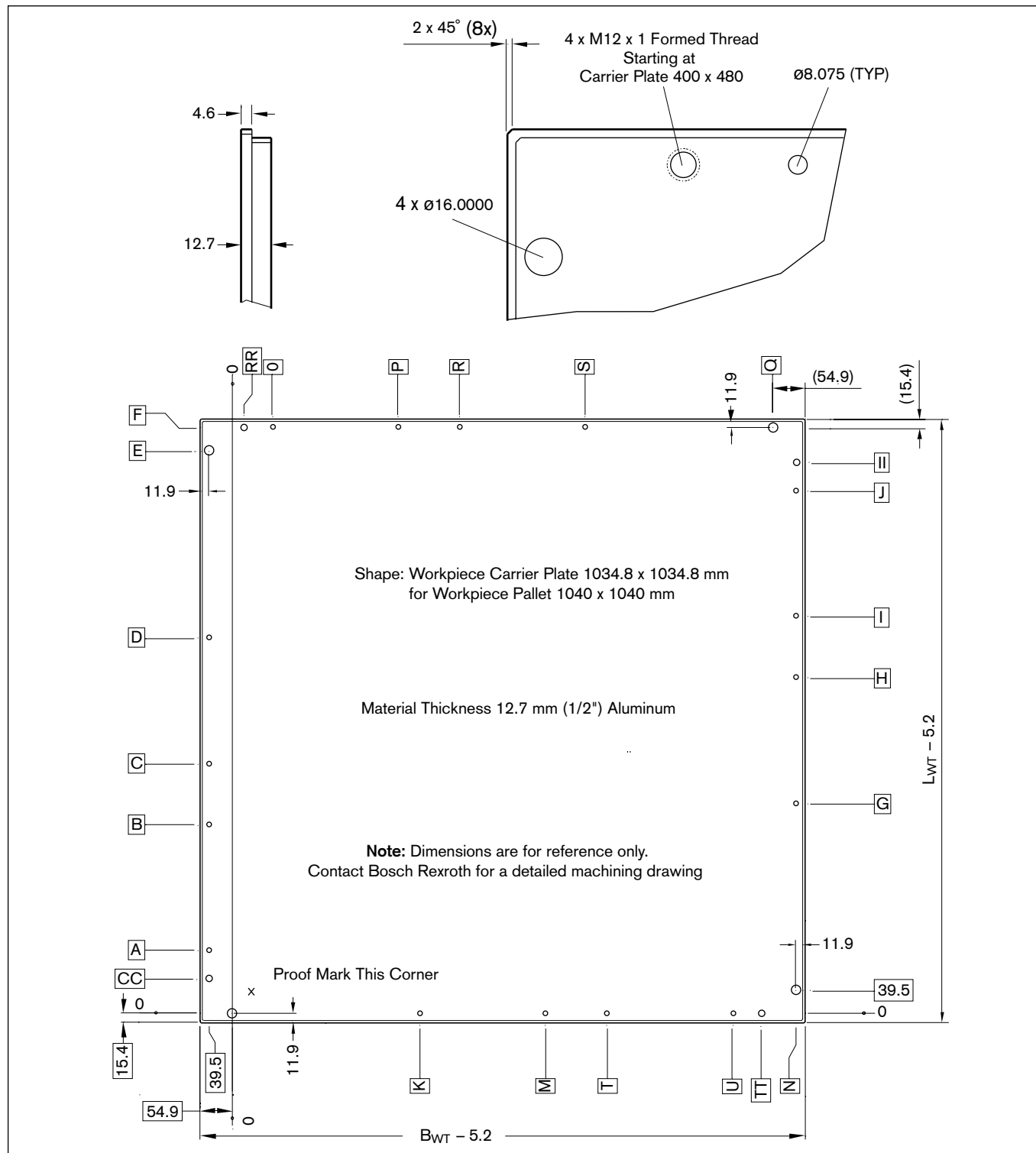
Workpiece Pallets and Components

# Heavy Duty Aluminum Support Plates (12.7 mm)

Model WT2/A-H

Heavy duty aluminum pallet plates are 12.7 mm thick and are not anodized. See chart on page 2-1 for workpiece pallet weight and payload carrying capacity.

## 2 Dimensional data for WT2/A-H (12.7 mm)



**Ordering Information for Aluminum Pallet Plates WT2/A-H (12.7 mm)**

B <sub>WT</sub>	L <sub>WT</sub>	Part Number	Flatness	CC	A	B	C	D	E	F	G	H	I
160	160	8981 019 870	0.3						84.5	124			
160	240	8981 019 871	0.3						164.5	204			
160	320	8981 019 872	0.3						244.5	284			
160	400	8981 019 873	0.3						324.5	364			
160	480	8981 019 874	0.3		108.5	323.5			404.5	444	120.5	335.5	
240	240	8981 019 875	0.3						164.5	204			
240	320	8981 019 876	0.5						244.5	284			
240	400	8981 019 877	0.5						324.5	364			
240	480	8981 019 878	0.5		108.5	323.5			404.5	444	120.5	335.5	
320	320	8981 019 880	0.5						244.5	284			
320	400	8981 019 881	0.6						324.5	364			
320	480	8981 019 882	0.6		108.5	323.5			404.5	444	120.5	335.5	
320	640	8981 019 884	0.8		108.5	323.5			564.5	604	280.5	495.5	
400	400	8981 019 887	0.6						324.5	364			
400	480	8981 019 888	0.6	59.5	108.5	323.5			404.5	444	120.5	335.5	
400	640	8981 019 890	0.8	59.5	108.5	323.5			564.5	604	280.5	495.5	
400	800	8981 019 892	1	59.5	108.5	323.5	428.5	643.5	724.5	764	120.5	335.5	440.5
480	480	8981 019 893	0.8	59.5	108.5	323.5			404.5	444	120.5	335.5	
480	640	8981 019 895	1	59.5	108.5	323.5			564.5	604	280.5	495.5	
480	800	8981 019 897	1	59.5	108.5	323.5	428.5	643.5	724.5	764	120.5	335.5	440.5
640	640	8981 019 905	1	59.5	108.5	323.5			564.5	604	280.5	495.5	
640	800	8981 019 907	1	59.5	108.5	323.5	428.5	643.5	724.5	764	120.5	335.5	440.5
640	1040	8981 019 910	1.2	59.5	108.5	323.5	428.5	643.5	964.5	1004	360.5	575.5	680.5
800	800	8981 019 916	1	59.5	108.5	323.5	428.5	643.5	724.5	764	120.5	335.5	440.5
800	1040	8981 019 919	1.2	59.5	108.5	323.5	428.5	643.5	964.5	1004	360.5	575.5	680.5
1040	1040	8981 019 925	1.2	59.5	108.5	323.5	428.5	643.5	964.5	1004	360.5	575.5	680.5

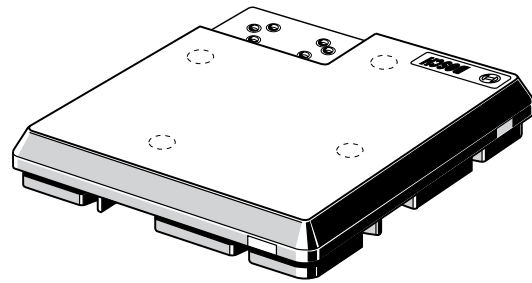
B <sub>WT</sub>	L <sub>WT</sub>	J	II	K	M	T	U	TT	N	RR	O	P	R	S	Q
160	160								84.5						45
160	240								84.5						45
160	320								84.5						45
160	400								84.5						45
160	480								84.5						45
240	240								164.5						125
240	320								164.5						125
240	400								164.5						125
240	480								164.5						125
320	320								244.5						205
320	400								244.5						205
320	480								244.5						205
320	640								244.5						205
400	400								324.5						285
400	480		384.5					265	324.5	20					285
400	640		544.5					265	324.5	20					285
400	800	655.5	704.5					265	324.5	20					285
480	480		384.5	81	296			345	404.5	20	69	284			365
480	640		544.5	81	296			345	404.5	20	69	284			365
480	800	655.5	704.5	81	296			345	404.5	20	69	284			365
640	640		544.5	241	456			505	564.5	20	69	284			525
640	800	655.5	704.5	241	456			505	564.5	20	69	284			525
640	1040	895.5	944.5	241	456			505	564.5	20	69	284			525
800	800	655.5	704.5	81	296	401	616	665	724.5	20	69	284	389	604	685
800	1040	895.5	944.5	81	296	401	616	665	724.5	20	69	284	389	604	685
1040	1040	895.5	944.5	321	536	641	856	905	964.5	20	69	284	389	604	925

Workpiece Pallets and Components

# Workpiece Pallet-Economy

Model WT2/E

This economical workpiece pallet is made entirely of plastic and can be used on any application where minimal downward force is applied. This workpiece pallet has a recessed area to mount two ID 10 code setters. The Pallet has a positioning accuracy of  $\pm 0.3$  mm and is only available in one size, 240 x 240 mm. It is made entirely of polyamide PA 6 and is **not electrically conductive**.



2

## Ordering Information for Economy Workpiece Pallets WT2/E

Bwt	Lwt	Flatness	c	d	e	f	g	WT (kg)	Load (kg)	Part Number
240	240	1	125	204	164.5	164.5	170	1.6	6.0	3842 352 171

## Dimensional data for WT2/E

